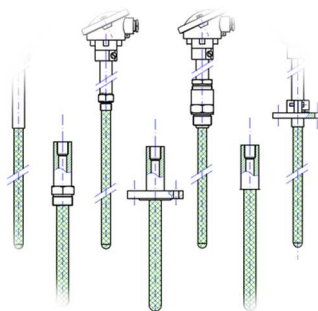




Thermal conductivity at level as metal protection tube, high mechanical strength, abrasion resistance, total tightness and unexpected longevity in the aggressive media, up to the temperature 1800°C. Is it all possible? Yes, it is EKatech!

In both coal power plants and combined power station (CHP) in fluidized bed reactor (FBR) also co-firing biomass temperature measurement before electrostatic precipitator is always problematic for maintenance. The media mix here strongly abrasive and aggressive makes the standard metal protection tube - even thick-walled – work no longer than a few weeks. In that situation is definitely rational to choose EKatech.



Aplication

- Temperature measurement of dust-air mixtures (mill-duct system),
- Steam fire extinguishing systems in mills, process temperature <300°C
- Temperature measurement in fluidized bed reactor <1000°C
- Measurement of exhaust temperature before and after electrostatic precipitator
- Temperature measurement in the combustion chamber

Worth knowing

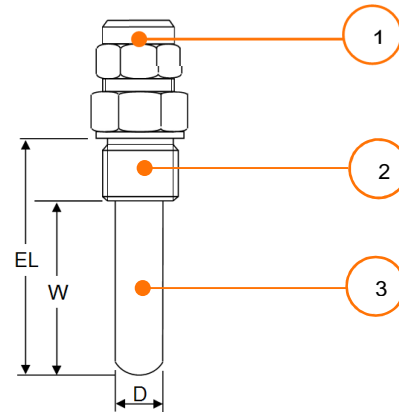
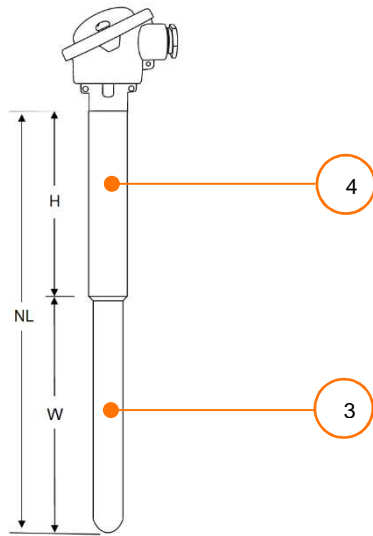
- Excellent resistance for rubbing off (in the abrasive media)
- Fast temperature response – for measurement without unnecessary time delays
- Very good thermal shock resistance. High thermal stress parameters.
- Resistance to oxidation
- Gas tightness
- Absolute corrosion resistance
- Resists build up of dross
- Electrically insulating
- No preheating required
- Not plastic with temperature function, preventing sensors from bending under their own weight
- Reduced maintenance downtime
- Typical working time > 12 months



**Guenther Poland
Temperature Technology**

ul. Wrocławska 24B
55-090 Długoleka – Poland
Tel: +48 (0) 71 352 70 70
Fax: +48 (0) 71 352 70 71
www.guenther.com.pl
biuro@guenther.com.pl





Example construction

Construction

1 Sensor connection

Thread to connect temperature sensor,
 Typical: G1/2"

2 Process connection

Typical thread G1/2" or other on request

3 EKatech protection tube / cap

Diameter: 10/11mm, 16mm, 22mm, 28mm

4 Protection tube / holding tube

Diameter dependent of EKatech sizes end tube
 Material: for example 1.4571, 1.4841



Basic technical data for EKatech protection tube:

Typical outside diameter:	Ø10mm, Ø16mm, Ø22mm, Ø28mm
Length:	up to 1000mm
Temperature range:	0-1000°C / 0-1800°C / depending on version
Construction:	As integrated with temperature sensor / as an independent protection tube



**Guenther Poland
 Temperature Technology**
 ul. Wrocławska 24B
 55-090 Długoleśka – Poland
 Tel: +48 (0) 71 352 70 70
 Fax: +48 (0) 71 352 70 71
 www.guenther.com.pl
 biuro@guenther.com.pl